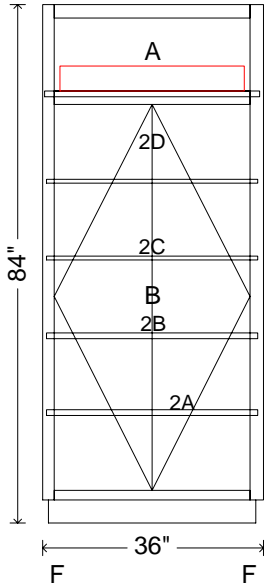


CAB 01 [full-height] [Stn File: xproute.stn]
 [room1] [wall3]

(W) 36" x (H) 84" x (D) 24"
 left scribe: 0" right scribe: 0"

(Overall width and height may not match cabinet width and height. Confirm by checking your measurements.)



OPENING	DESCRIPTION	WIDTH	HEIGHT
OPENINGS			
A	Open	32"	x 12"
B	Door (pair)	32"	x 62 1/2"

OPENING	DESCRIPTION	WIDTH	HEIGHT	DADO DEPTH	DADO LOCATION
SHELF OPENINGS					
2A	Open	34 1/2" x	11 3/4"		Adjustable
2B	Open	34 1/2" x	11 3/4"		Adjustable
2C	Open	34 1/2" x	11 3/4"		Adjustable
2D	Open	34 1/2" x	12 1/8"		Adjustable

OPENING	QTY	DESCRIPTION
DOORS / DRAWER-FRONTS		
B	2	3/4" square frame (Red Oak Lumber) with raised panel(s) (Red Oak Lumber) SIZE = 16 7/16"W x 63 1/2"H x 3/4"T

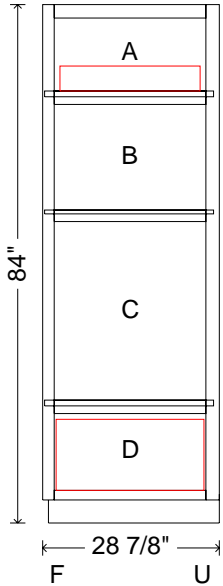
QTY	WIDTH	LENGTH	THICKNESS	PART	MATERIAL
FACE FRAME					
1	2"	x 80"	x 3/4"	Left Stile	Red Oak Lumber
1	2"	x 80"	x 3/4"	Right Stile	Red Oak Lumber
1	2"	x 32"	x 3/4"	Top Rail	Red Oak Lumber
1	2"	x 32"	x 3/4"	Center Rail	Red Oak Lumber
1	1 1/2"	x 32"	x 3/4"	Bottom Rail	Red Oak Lumber

QTY	WIDTH	LENGTH	THICKNESS	PART	MATERIAL
BOX PARTS					
1	35"	x 78 1/4"	x 1/4"	Back	Melamine (white 2-sided)
1	23 1/4"	x 80"	x 3/4"	Left Panel	Red Oak Plywood
1	23 1/4"	x 80"	x 3/4"	Right Panel	Red Oak Plywood
1	23 1/4"	x 35"	x 3/4"	Bottom	Melamine (white 2-sided)
1	23 1/4"	x 35"	x 3/4"	Top	Melamine (white 2-sided)
1	22 1/4"	x 35"	x 3/4"	Fixed Shelf	Melamine (white 2-sided)
4	22 1/8"	x 34 3/8"	x 3/4"	Adjustable Shelf	Melamine (white 2-sided)
1	4 3/4"	x 34"	x 3/4"	Front Toe Kick	Melamine (white 2-sided)
2	4 3/4"	x 20 1/4"	x 3/4"	Sleeper	Melamine (white 2-sided)
3	4"	x 34 1/2"	x 3/4"	Nailer	Melamine (white 2-sided)

CAB 03 [full-height] [Stn File: xproute.stn]
 [room1] [wall3]

(W) 28 7/8" x (H) 84" x (D) 24"
 left scribe: 0" right scribe: 1/4"

(Overall width and height may not match cabinet width and height. Confirm by checking your measurements.)



OPENING	DESCRIPTION	WIDTH	HEIGHT
OPENINGS			
A	Open	24 7/8"	x 12"
B	Microwave	24 7/8"	x 17"
C	Single Oven	24 7/8"	x 29"
D	Drawer	24 7/8"	x 12 1/2"

OPENING	QTY	DESCRIPTION
DOORS / DRAWER-FRONTS		
D	1	3/4" slab (horizontal grain)(Red Oak Lumber) with no edging SIZE = 25 7/8"W x 13 1/2"H x 3/4"T

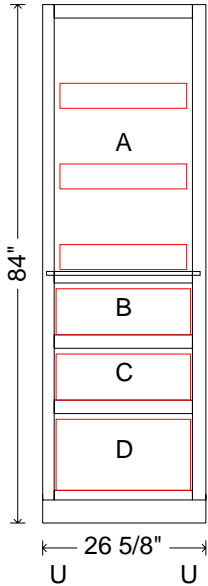
QTY	WIDTH	LENGTH	THICKNESS	PART	MATERIAL
FACE FRAME					
1	2"	x 80"	x 3/4"	Left Stile	Red Oak Lumber
1	2"	x 80"	x 3/4"	Right Stile	Red Oak Lumber
1	2"	x 24 7/8"	x 3/4"	Top Rail	Red Oak Lumber
3	2"	x 24 7/8"	x 3/4"	Center Rail	Red Oak Lumber
1	1 1/2"	x 24 7/8"	x 3/4"	Bottom Rail	Red Oak Lumber

QTY	WIDTH	LENGTH	THICKNESS	PART	MATERIAL
BOX PARTS					
1	27 5/8"	x 78 1/4"	x 1/4"	Back	Melamine (white 2-sided)
1	23 1/4"	x 80"	x 3/4"	Left Panel	Red Oak Plywood
1	23 1/4"	x 79 1/4"	x 3/4"	Right Panel	Melamine (white 2-sided)
1	23 1/4"	x 27 5/8"	x 3/4"	Bottom	Melamine (white 2-sided)
1	23 1/4"	x 27 5/8"	x 3/4"	Top	Melamine (white 2-sided)
3	22 1/4"	x 27 5/8"	x 3/4"	Fixed Shelf	Melamine (white 2-sided)
1	4 3/4"	x 27 7/8"	x 3/4"	Front Toe Kick	Melamine (white 2-sided)
2	4 3/4"	x 20 1/4"	x 3/4"	Sleeper	Melamine (white 2-sided)
3	4"	x 27 1/8"	x 3/4"	Nailer	Melamine (white 2-sided)

CAB 04 [full-height] [Stn File: xproute.stn]
 [room1] [wall3]

(W) 26 5/8" x (H) 84" x (D) 24"
 left scribe: 1/4" right scribe: 1/4"

(Overall width and height may not match cabinet width and height. Confirm by checking your measurements.)



OPENING	DESCRIPTION	WIDTH	HEIGHT
OPENINGS			
A	Open	22 5/8"	x 41"
B	Drawer	22 5/8"	x 8 1/2"
C	Drawer	22 5/8"	x 8 1/2"
D	Drawer	22 5/8"	x 12 1/2"

OPENING	QTY	DESCRIPTION
DOORS / DRAWER-FRONTS		
D	1	3/4" slab (horizontal grain)(Red Oak Lumber) with no edging SIZE = 23 5/8"W x 13 1/2"H x 3/4"T
B	1	3/4" slab (horizontal grain)(Red Oak Lumber) with no edging SIZE = 23 5/8"W x 9 1/2"H x 3/4"T
C	1	3/4" slab (horizontal grain)(Red Oak Lumber) with no edging SIZE = 23 5/8"W x 9 1/2"H x 3/4"T

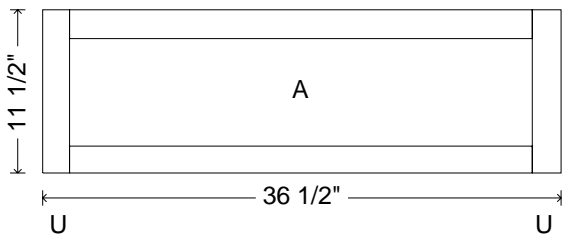
QTY	WIDTH	LENGTH	THICKNESS	PART	MATERIAL
FACE FRAME					
1	2"	x 80"	x 3/4"	Left Stile	Red Oak Lumber
1	2"	x 80"	x 3/4"	Right Stile	Red Oak Lumber
1	2"	x 22 5/8"	x 3/4"	Top Rail	Red Oak Lumber
3	2"	x 22 5/8"	x 3/4"	Center Rail	Red Oak Lumber
1	1 1/2"	x 22 5/8"	x 3/4"	Bottom Rail	Red Oak Lumber

QTY	WIDTH	LENGTH	THICKNESS	PART	MATERIAL
BOX PARTS					
1	25 1/8"	x 78 1/4"	x 1/4"	Back	Melamine (white 2-sided)
1	23 1/4"	x 79 1/4"	x 3/4"	Left Panel	Melamine (white 2-sided)
1	23 1/4"	x 79 1/4"	x 3/4"	Right Panel	Melamine (white 2-sided)
1	23 1/4"	x 25 1/8"	x 3/4"	Bottom	Melamine (white 2-sided)
1	23 1/4"	x 25 1/8"	x 3/4"	Top	Melamine (white 2-sided)
1	22 1/4"	x 25 1/8"	x 3/4"	Fixed Shelf	Melamine (white 2-sided)
1	4 3/4"	x 26 5/8"	x 3/4"	Front Toe Kick	Melamine (white 2-sided)
2	4 3/4"	x 20 1/4"	x 3/4"	Sleeper	Melamine (white 2-sided)
3	4"	x 24 5/8"	x 3/4"	Nailer	Melamine (white 2-sided)

CAB 07 [upper] [Stn File: xproute.stn]
 [room1] [wall3]

(W) 36 1/2" x (H) 11 1/2" x (D) 24"
 left scribe: 1/4" right scribe: 1/4"

(Overall width and height may not match cabinet width and height. Confirm by checking your measurements.)



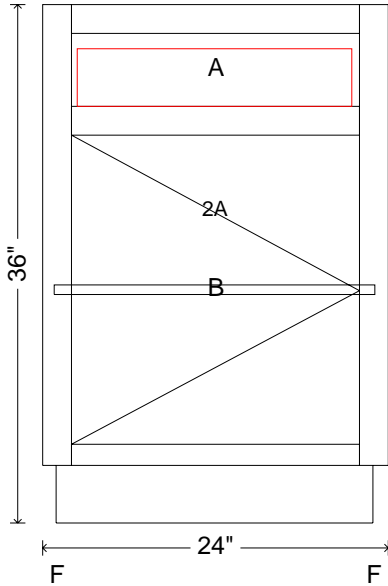
OPENING	DESCRIPTION	WIDTH	HEIGHT
OPENINGS			
A	Open	32 1/2"	x 7 1/2"

QTY	WIDTH	LENGTH	THICKNESS	PART	MATERIAL
FACE FRAME					
1	2"	x 32 1/2"	x 3/4"	Top Rail	Red Oak Lumber
1	2"	x 32 1/2"	x 3/4"	Bottom Rail	Red Oak Lumber
1	2"	x 11 1/2"	x 3/4"	Left Stile	Red Oak Lumber
1	2"	x 11 1/2"	x 3/4"	Right Stile	Red Oak Lumber
BOX PARTS					
1	35"	x 9 1/4"	x 1/4"	Back	Melamine (white 2-sided)
1	23 1/4"	x 35"	x 3/4"	Bottom	Melamine (white 2-sided)
1	23 1/4"	x 35"	x 3/4"	Top	Melamine (white 2-sided)
1	23 1/4"	x 11 1/2"	x 3/4"	Left Panel	Melamine (white 2-sided)
1	23 1/4"	x 11 1/2"	x 3/4"	Right Panel	Melamine (white 2-sided)
2	4"	x 34 1/2"	x 3/4"	Nailer	Melamine (white 2-sided)

CAB 05 [base] [Stn File: xproute.stn]
 [room1] [wall4]

(W) 24" x (H) 36" x (D) 16"
 left scribe: 0" right scribe: 0"

(Overall width and height may not match cabinet width and height. Confirm by checking your measurements.)



OPENING	DESCRIPTION	WIDTH	HEIGHT
OPENINGS			
A	Drawer	20"	x 5"
B	Door (single)	20"	x 21 1/2"

OPENING	DESCRIPTION	WIDTH	HEIGHT	DADO DEPTH	DADO LOCATION
SHELF OPENINGS					
2A	Open	22 1/2"	x 10 3/8"		Adjustable

OPENING	QTY	DESCRIPTION
DOORS / DRAWER-FRONTS		
B	1	3/4" square frame (Red Oak Lumber) with raised panel(s) (Red Oak Lumber) SIZE = 21"W x 22 1/2"H x 3/4"T
A	1	3/4" slab (horizontal grain)(Red Oak Lumber) with no edging SIZE = 21"W x 6"H x 3/4"T

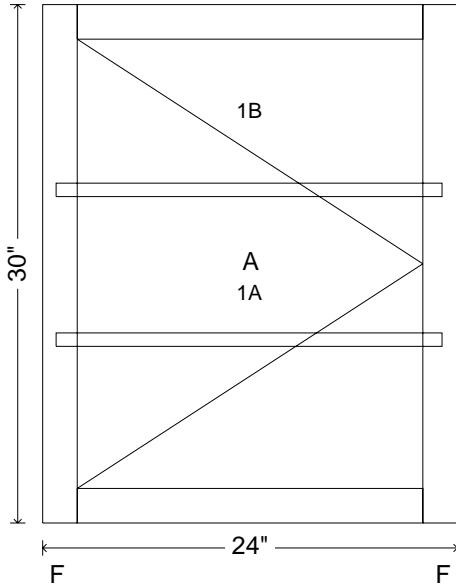
QTY	WIDTH	LENGTH	THICKNESS	PART	MATERIAL
FACE FRAME					
1	2"	x 32"	x 3/4"	Left Stile	Red Oak Lumber
1	2"	x 32"	x 3/4"	Right Stile	Red Oak Lumber
1	2"	x 20"	x 3/4"	Top Rail	Red Oak Lumber
1	2"	x 20"	x 3/4"	Center Rail	Red Oak Lumber
1	1 1/2"	x 20"	x 3/4"	Bottom Rail	Red Oak Lumber

QTY	WIDTH	LENGTH	THICKNESS	PART	MATERIAL
BOX PARTS					
1	23"	x 30 3/4"	x 1/4"	Back	Melamine (white 2-sided)
1	15 1/4"	x 32"	x 3/4"	Left Panel	Red Oak Plywood
1	15 1/4"	x 32"	x 3/4"	Right Panel	Red Oak Plywood
1	15 1/4"	x 23"	x 3/4"	Bottom	Melamine (white 2-sided)
1	14 1/8"	x 22 3/8"	x 3/4"	Adjustable Shelf	Melamine (white 2-sided)
1	4 3/4"	x 22"	x 3/4"	Front Toe Kick	Melamine (white 2-sided)
2	4 3/4"	x 12 1/4"	x 3/4"	Sleeper	Melamine (white 2-sided)
2	4"	x 22 1/2"	x 3/4"	Nailer	Melamine (white 2-sided)
2	4"	x 22 1/2"	x 3/4"	Stretcher	Melamine (white 2-sided)

CAB 06 [upper] [Stn File: xproute.stn]
 [room1] [wall4]

(W) 24" x (H) 30" x (D) 16"
 left scribe: 0" right scribe: 0"

(Overall width and height may not match cabinet width and height. Confirm by checking your measurements.)



OPENING	DESCRIPTION	WIDTH	HEIGHT
OPENINGS			
A	Door (single)	20"	x 26"

OPENING	DESCRIPTION	WIDTH	HEIGHT	DADO DEPTH	DADO LOCATION (From bottom of opening)
SHELF OPENINGS					
1A	Open	22 1/2"	x 7 29/32"		Adjustable
1B	Open	22 1/2"	x 8 9/32"		Adjustable

OPENING	QTY	DESCRIPTION
DOORS / DRAWER-FRONTS		
A	1	3/4" simple arch frame (Red Oak Lumber) with raised panel(s) (Red Oak Lumber) SIZE = 21"W x 27"H x 3/4"T

QTY	WIDTH	LENGTH	THICKNESS	PART	MATERIAL
FACE FRAME					
1	2"	x 30"	x 3/4"	Left Stile	Red Oak Lumber
1	2"	x 30"	x 3/4"	Right Stile	Red Oak Lumber
1	2"	x 20"	x 3/4"	Top Rail	Red Oak Lumber
1	2"	x 20"	x 3/4"	Bottom Rail	Red Oak Lumber

QTY	WIDTH	LENGTH	THICKNESS	PART	MATERIAL
BOX PARTS					
1	23"	x 27 3/4"	x 1/4"	Back	Melamine (white 2-sided)
1	15 1/4"	x 30"	x 3/4"	Left Panel	Red Oak Plywood
1	15 1/4"	x 30"	x 3/4"	Right Panel	Red Oak Plywood
1	15 1/4"	x 23"	x 3/4"	Bottom	Melamine (white 2-sided)
1	15 1/4"	x 23"	x 3/4"	Top	Melamine (white 2-sided)
2	14 1/8"	x 22 3/8"	x 3/4"	Adjustable Shelf	Melamine (white 2-sided)
2	4"	x 22 1/2"	x 3/4"	Nailer	Melamine (white 2-sided)